

SEE PAGE 2
FOR TRIM SIZE
FORMULAS

1. Assemble cavity pocket unit if required by attaching the Track and Closing Jamb with screws provided (refer to the Frame Kitset Assembly Instructions). Fit wheels to door, if required.

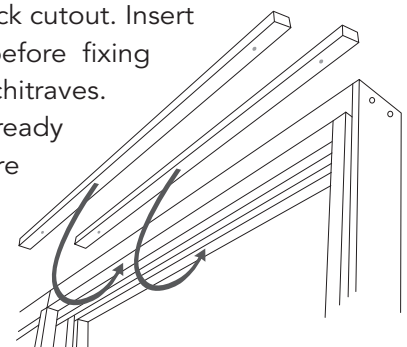
2. Check floor is level. Run a line along the floor between Jack Studs to align pocket with wall then position pocket unit in rough opening. Use spirit or laser level to ensure horizontal & vertical level. Pack frame to ensure unit is square. Screw fix Back Stud to Jack Stud, starting at top, checking plumb as you go. Check door opening distance is equal from top to bottom, ensure 100% plumb and straight, then fix off closing jamb. Check alignment in both directions before fixing Base Plate to floor using pre-drilled holes at the opening of the pocket.

3. Hang door: insert wheelset closest to door edge (A) first. Position the door at right-angles to

the frame. Put rear wheels (A) into the track cutout then slide door into the pocket, straightening to parallel as you go. Put front wheels into cutout and slide door to back of pocket, checking it is free-running.



4. Attach head jamba. Place grey cover cap over track cutout. Insert Jamb Spreader before fixing wall linings and architraves. Your unit is now ready to install hardware and paint.





TRIM HEIGHT:

Classic track:

Door Height + Floor Clearance (standard is 25mm) + 70mm*

Classic track with Soft Close:

Door Height + Floor Clearance (standard is 25mm) + 80mm

CavZero track:

Door Height + Floor Clearance (standard is 25mm) + 50mm*

CavZero track with Soft Close:

Door Height + Floor Clearance (standard is 25mm) + 60mm

CavZero Full Height Detail track:

Door Height + Floor Clearance (standard is 25mm) + 70mm

**Applies to 90mm stud units. All 140mm stud units are the same trim height as 90mm SoftClose units regardless of whether they are SoftClose or not*

TRIM WIDTH (either CavZero or Classic):

Single:

Door Width x 2 + 35mm

Double:

Door Width x 4 + 20mm

- An online trim size calculator can be found at www.cavityslider.co.nz/resources
- Installation videos can be found at www.cavityslider.co.nz/resources
- Installation instructions for SoftClose are included in the Frame Kitset Assembly instructions

